

OMRON Collaborative Robot TM S Series

S Series Collaborative Robot (Cobot) HW 5.03 for assembly, palletizing, inspection, logistics and other applications

- Designed to promote a safe and harmonious workplace between humans and machines.
- 36 safety functions, all ISO 13849-1, Cat.3, PLd, certified
- Full ISO 10218-1 compliance
- Easy-to-use graphical programming environment for quick startup and operation.
- Built-in, vision-based, robot enables visual servoing, inspection, and measurement operations.
- Optional camera and Landmark allows for truly flexible, fast changeover.
- Capability to integrate with mobile robots enables fully-autonomous machine tending and logistics handling applications.
- TM S Series robot arms are finished with an ESD-compliant coating.
- DC Nano Control Box provides a compact solution optimized for Mobile Manipulator (MoMa) applications



Ordering Information

RT6 - □ □ □ □ □ □
1 2 3 4 5 6

No.	Item	Specifications	Model	Designation
1	Payload (kg max.)	5	TM5S	0
		6	TM6S	9
		7	TM7S	6
		12	TM12S	1
		14	TM14S	2
		20	TM20S	4
		25	TM25S	7
		30	TM30S	8
2	Controller Type	AC		0
		DC		1
		DC Nano		2
3	Vision	With Integrated Camera		0
		Without Integrated Camera		1
4	Reach/Arm Length (mm)	900	TM5S	90
		1800	TM6S	18
		700	TM7S	70
		1300	TM12S	13
		1100	TM14S	11
		1300	TM20S	13
		1902	TM25S	19
		1702	TM30S	17
5	Option	Standard		0
		SEMI S2 *1		1
		Fieldbus		2
		SEMI S2 *1, Fieldbus		5
6	Cable Length (m)	Standard Length (1.5 m for DC unit / 3.0 m for AC unit)		4
		Extended Length (3.0 m for DC unit / 12 m for AC unit)		5

Note: Not all combinations are possible. Please refer to the Ordering Information tables for available combinations.

*1. Semiconductor Equipment and Materials International (SEMI), is the central, global network of micro and nanoelectronics manufacturers that issues safety guidelines. SEMI S2 is the most well-known SEMI standard for Environmental, Health, and Safety (EHS).

TM S Series

Ordering Information

TM5S Units

Product Model	Maximum Payload (kg)	Reach (mm)	Integrated Camera	Extended Cable	DC Power Source	SEMI S2 Certified	Fieldbus	Ordering Code		
TM5S	5	900	Yes	No	No	No	No	RT6-0009004		
TM5S, 12 m cable				Yes				RT6-0009005		
TM5S-X			No	No				RT6-0019004		
TM5S-X, 12 m cable				Yes				RT6-0019005		
TM5S-M			Yes	No	Yes			Yes	No	RT6-0109004
TM5S-M, 3 m cable				Yes						RT6-0109005
TM5S-M SEMI				No	No			Yes	RT6-0109014	
TM5S-MX			No	No	Yes			Yes	No	RT6-0119004
TM5S-MX, 3 m cable				Yes		RT6-0119005				
TM5S, Fieldbus			Yes	No	No	No	No	RT6-0009024		
TM5S, 12 m cable, Fieldbus				Yes				RT6-0009025		
TM5S-X, Fieldbus			No	No	Yes	No	No	RT6-0019024		
TM5S-X, 12 m cable, Fieldbus				Yes				RT6-0019025		
TM5S-M, Fieldbus			Yes	No	Yes	Yes	No	RT6-0109024		
TM5S-M, 3 m cable, Fieldbus				Yes				RT6-0109025		
TM5S-M SEMI, Fieldbus				No				Yes	RT6-0109054	
TM5S-NM, Fieldbus, Nano Control Box			Yes	No	Yes	Yes	No	Yes	RT6-0209024	
TM5S-NM, 3 m cable, Fieldbus, Nano Control Box				Yes				RT6-0209025		
TM5S-MX, Fieldbus			No	No	Yes	Yes	No	RT6-0119024		
TM5S-MX, 3 m cable, Fieldbus				Yes				RT6-0119025		
TM5S-NMX, Fieldbus, Nano Control Box				No				RT6-0219024		
TM5S-NMX, 3 m cable, Fieldbus, Nano Control Box			Yes	RT6-0219025						

TM6S Units

Product Model	Maximum Payload (kg)	Reach (mm)	Integrated Camera	Extended Cable	DC Power Source	SEMI S2 Certified	Fieldbus	Ordering Code		
TM6S	6	1800	Yes	No	No	No	No	RT6-9001804		
TM6S, 12 m cable				Yes				RT6-9001805		
TM6S-X			No	No				RT6-9011804		
TM6S-X, 12 m cable				Yes				RT6-9011805		
TM6S-M			Yes	No	Yes			Yes	No	RT6-9101804
TM6S-M, 3 m cable				Yes						RT6-9101805
TM6S-MX				No	No			Yes	Yes	No
TM6S-MX, 3 m cable			Yes		RT6-9111805					
TM6S, Fieldbus			Yes	No	No	No	No	RT6-9001824		
TM6S, 12 m cable, Fieldbus				Yes				RT6-9001825		
TM6S-X, Fieldbus			No	No	Yes	No	No	RT6-9011824		
TM6S-X, 12 m cable, Fieldbus				Yes				RT6-9011825		
TM6S-M, Fieldbus			Yes	No	Yes	Yes	No	RT6-9101824		
TM6S-M, 3 m cable, Fieldbus				Yes				RT6-9101825		
TM6S-NM, Fieldbus, Nano Control Box				No				Yes	RT6-9201824	
TM6S-NM, 3 m cable, Fieldbus, Nano Control Box			Yes	Yes	RT6-9201825					
TM6S-MX, Fieldbus			No	No	Yes	Yes	No	RT6-9111824		
TM6S-MX, 3 m cable, Fieldbus				Yes				RT6-9111825		
TM6S-NMX, Fieldbus, Nano Control Box				No				RT6-9211824		
TM6S-NMX, 3 m cable, Fieldbus, Nano Control Box			Yes	RT6-9211825						

TM7S Units

Product Model	Maximum Payload (kg)	Reach (mm)	Integrated Camera	Extended Cable	DC Power Source	SEMI S2 Certified	Fieldbus	Ordering Code
TM7S	7	700	Yes	No	No	No	No	RT6-6007004
TM7S, 12 m cable				Yes				RT6-6007005
TM7S-X			No	No				RT6-6017004
TM7S-X, 12 m cable				Yes				RT6-6017005
TM7S-M			Yes	No	Yes	Yes		RT6-6107004
TM7S-M, 3 m cable				Yes				RT6-6107005
TM7S-M SEMI				No				RT6-6107014
TM7S-MX			No	No	Yes	Yes		No
TM7S-MX, 3 m cable				Yes			RT6-6117005	
TM7S, Fieldbus			Yes	No	No	No	No	RT6-6007024
TM7S, 12 m cable, Fieldbus				Yes				RT6-6007025
TM7S-X, Fieldbus			No	No	Yes	No	No	RT6-6017024
TM7S-X, 12 m cable, Fieldbus				Yes				RT6-6017025
TM7S-M, Fieldbus			Yes	No	Yes	Yes	Yes	RT6-6107024
TM7S-M, 3 m cable, Fieldbus				Yes				RT6-6107025
TM7S-M SEMI, Fieldbus				No				RT6-6107054
TM7S-NM, Fieldbus, Nano Control Box			Yes	No	Yes	Yes	No	RT6-6207024
TM7S-NM, 3 m cable, Fieldbus, Nano Control Box				Yes				RT6-6207025
TM7S-MX, Fieldbus			No	No	Yes	No	No	RT6-6117024
TM7S-MX, 3 m cable, Fieldbus				Yes				RT6-6117025
TM7S-NMX, Fieldbus, Nano Control Box	No	No	Yes	No	No	RT6-6217024		
TM7S-NMX, 3 m cable, Fieldbus, Nano Control Box		Yes				RT6-6217025		

TM12S Units

Product Model	Maximum Payload (kg)	Reach (mm)	Integrated Camera	Extended Cable	DC Power Source	SEMI S2 Certified	Fieldbus	Ordering Code	
TM12S	12	1300	Yes	No	No	No	No	RT6-1001304	
TM12S, 12 m cable				Yes				RT6-1001305	
TM12S-X			No	No				RT6-1011304	
TM12S-X, 12 m cable				Yes				RT6-1011305	
TM12S-M			Yes	No	Yes	Yes		No	RT6-1101304
TM12S-M, 3 m cable				Yes					RT6-1101305
TM12S-M SEMI				No					RT6-1101314
TM12S-MX			No	No	Yes	No		No	RT6-1111304
TM12S-MX, 3 m cable				Yes			RT6-1111305		
TM12S, Fieldbus			Yes	No	No	No	No	RT6-1001324	
TM12S, 12 m cable, Fieldbus				Yes				RT6-1001325	
TM12S-X, Fieldbus			No	No	Yes	No	No	RT6-1011324	
TM12S-X, 12 m cable, Fieldbus				Yes				RT6-1011325	
TM12S-M, Fieldbus			Yes	No	Yes	Yes	No	RT6-1101324	
TM12S-M, 3 m cable, Fieldbus				Yes				RT6-1101325	
TM12S-M SEMI, Fieldbus				No				RT6-1101354	
TM12S-NM, Fieldbus, Nano Control Box			Yes	No	Yes	Yes	No	RT6-1201324	
TM12S-NM, 3 m cable, Fieldbus, Nano Control Box				Yes				RT6-1201325	
TM12S-MX, Fieldbus			No	No	Yes	No	No	RT6-1111324	
TM12S-MX, 3 m cable, Fieldbus				Yes				RT6-1111325	
TM12S-NMX, Fieldbus, Nano Control Box	No	No	Yes	No	No	RT6-1211324			
TM12S-NMX, 3 m cable, Fieldbus, Nano Control Box		Yes				RT6-1211325			

TM S Series

TM14S Units

Product Model	Maximum Payload (kg)	Reach (mm)	Integrated Camera	Extended Cable	DC Power Source	SEMI S2 Certified	Fieldbus	Ordering Code	
TM14S	14	1100	Yes	No	No	No	No	RT6-2001104	
TM14S, 12 m cable				Yes				RT6-2001105	
TM14S-X			No	No				RT6-2011104	
TM14S-X, 12 m cable				Yes				RT6-2011105	
TM14S-M			Yes	No	Yes	Yes	No	RT6-2101104	
TM14S-M, 3 m cable				Yes				RT6-2101105	
TM14S-M SEMI			No	RT6-2101114					
TM14S-MX			No	No				RT6-2111104	
TM14S-MX, 3 m cable				Yes	RT6-2111105				
TM14S, Fieldbus			Yes	No	No	No	No	No	RT6-2001124
TM14S, 12 m cable, Fieldbus				Yes					RT6-2001125
TM14S-X, Fieldbus			No	No					RT6-2011124
TM14S-X, 12 m cable, Fieldbus				Yes					RT6-2011125
TM14S-M, Fieldbus			Yes	No	Yes	Yes	Yes	Yes	RT6-2101124
TM14S-M, 3 m cable, Fieldbus				Yes					RT6-2101125
TM14S-M SEMI, Fieldbus				No					RT6-2101154
TM14S-NM, Fieldbus, Nano Control Box				No					RT6-2201124
TM14S-NM, 3 m cable, Fieldbus, Nano Control Box			No	Yes	Yes	Yes	No	No	RT6-2201125
TM14S-MX, Fieldbus				No					RT6-2111124
TM14S-MX, 3 m cable, Fieldbus				Yes					RT6-2111125
TM14S-NMX, Fieldbus, Nano Control Box	No	RT6-2211124							
TM14S-NMX, 3 m cable, Fieldbus, Nano Control Box	Yes	RT6-2211125							

TM20S Units

Product Model	Maximum Payload (kg)	Reach (mm)	Integrated Camera	Extended Cable	DC Power Source	SEMI S2 Certified	Fieldbus	Ordering Code	
TM20S	20	1300	Yes	No	No	No	No	RT6-4001304	
TM20S, 12 m cable				Yes				RT6-4001305	
TM20S-X			No	No				RT6-4011304	
TM20S-X, 12 m cable				Yes				RT6-4011305	
TM20S-NM, Nano Control Box			Yes	No	Yes	Yes	No	No	RT6-4201304
TM20S-NM, 3 m cable, Nano Control Box				Yes					RT6-4201305
TM20S-NMX, Nano Control Box			No	No					RT6-4211304
TM20S-NMX, 3 m cable, Nano Control Box				Yes					RT6-4211305
TM20S, Fieldbus			Yes	No	No	No	No	No	RT6-4001324
TM20S, 12 m cable, Fieldbus				Yes					RT6-4001325
TM20S-X, Fieldbus			No	No					RT6-4011324
TM20S-X, 12 m cable, Fieldbus				Yes					RT6-4011325
TM20S-NM, Fieldbus, Nano Control Box			Yes	No	Yes	Yes	Yes	Yes	RT6-4201324
TM20S-NM, 3 m cable, Fieldbus, Nano Control Box				Yes					RT6-4201325
TM20S-NMX, Fieldbus, Nano Control Box			No	No					RT6-4211324
TM20S-NMX, 3 m cable, Fieldbus, Nano Control Box				Yes					RT6-4211325

TM25S Units

Product Model	Maximum Payload (kg)	Reach (mm)	Integrated Camera	Extended Cable	DC Power Source	SEMI S2 Certified	Fieldbus	Ordering Code
TM25S	25	1902	Yes	No	No	No	No	RT6-7001904
TM25S, 12 m cable				Yes				RT6-7001905
TM25S-X			No	No				RT6-7011904
TM25S-X, 12 m cable				Yes	RT6-7011905			
TM25S-M			Yes	No	RT6-7101904			
TM25S-M, 3 m cable				Yes	RT6-7101905			
TM25S-MX			No	No	RT6-7111904			
TM25S-MX, 3 m cable				Yes	RT6-7111905			
TM25S, Fieldbus			Yes	No	RT6-7001924			
TM25S, 12 m cable, Fieldbus				Yes	RT6-7001925			
TM25S-X, Fieldbus			No	No	RT6-7011924			
TM25S-X, 12 m cable, Fieldbus				Yes	RT6-7011925			
TM25S-M, Fieldbus			Yes	No	RT6-7101924			
TM25S-M, 3 m cable, Fieldbus				Yes	RT6-7101925			
TM25S-MX, Fieldbus			No	No	RT6-7111924			
TM25S-MX, 3 m cable, Fieldbus				Yes	RT6-7111925			

TM30S Units

Product Model	Maximum Payload (kg)	Reach (mm)	Integrated Camera	Extended Cable	DC Power Source	SEMI S2 Certified	Fieldbus	Ordering Code
TM30S	30	1702	Yes	No	No	No	No	RT6-8001704
TM30S, 12 m cable				Yes				RT6-8001705
TM30S-X			No	No				RT6-8011704
TM30S-X, 12 m cable				Yes	RT6-8011705			
TM30S-M			Yes	No	RT6-8101704			
TM30S-M, 3 m cable				Yes	RT6-8101705			
TM30S-MX			No	No	RT6-8111704			
TM30S-MX, 3 m cable				Yes	RT6-8111705			
TM30S, Fieldbus			Yes	No	RT6-8001724			
TM30S, 12 m cable, Fieldbus				Yes	RT6-8001725			
TM30S-X, Fieldbus			No	No	RT6-8011724			
TM30S-X, 12 m cable, Fieldbus				Yes	RT6-8011725			
TM30S-M, Fieldbus			Yes	No	RT6-8101724			
TM30S-M, 3 m cable, Fieldbus				Yes	RT6-8101725			
TM30S-MX, Fieldbus			No	No	RT6-8111724			
TM30S-MX, 3 m cable, Fieldbus				Yes	RT6-8111725			












Items Included with a System

Control Box Cable	1.5, 3, and 12 m options	
Robot Stick	Hand control to manually position and teach cobot	
Control Box	Robot Control Box	
Calibration Plate	Plate for calibrating cobot integrated camera. Not included with S-X model cobots	
I/O Cable	1 m 8-pin digital I/O cable	
Landmark	Two robot positioning tools. Not included with S-X model cobots	
Ground Wire	Two 2 m wires	
Jumper Wire	Two 3 cm wires	
Power Cord	(TM5S, TM6S, TM7S, TM12S, TM14S, TM20S) Three 1.8 m Control Box power cords, types B, G, and F	(TM25S and TM30S) Control Box power cord. 1 cable, 5 m
SEMI Switch	Emergency OFF switch (SEMI cobots)	
SEMI ESTOP Cable	3 m Emergency OFF cable (SEMI cobots)	
External Brake Release Cable	3 m cable for external brake release (TM25S and TM30S only)	

TM S Series

Joint 6 Force/Torque Sensor	Force/Torque sensor for force control applications and improved load manipulation (TM25S and TM30S only)
------------------------------------	--

Accessories and Optional Items

Appearance	Product Name	Description	Remarks	Ordering Code
	Landmark 2.0	Robot positioning tool as a reference to the environment.	Two included with purchase of a cobot. Not included with S-X model cobots.	RT6-A000028
	Mobile Workstation (MWS)	MWS is a convenient tool for users to mount the cobot arm on work surface, and safely store the control box. Users can easily move the MWS with the cobot to different work cells.	Compatible with OMRON TM5S, TM7S, TM5-700, and TM5-900.	RT6-A000010
	Robot stand	Similar to MWS, the robot stand can be easily moved with the cobot to different work stations.	Compatible with OMRON TM5S, TM7S, TM5-700, and TM5-900.	RT6-A000009
	SSD with cable	128 GB solid-state disk	SATA cable included. Recommended for external cameras image logging.	RT6-A000012
	Kit, calibration set with additional pin	The toolkit for teaching a precise tool center point (TCP) that can be used for manual workspace calibration within TMvision.	Required for TCP and manual vision calibration.	RT6-A000002
	Polarizer Light Module, S-Series	Improves the reflection caused by the cobot's own light source on the surface of highly-reflective objects.	For S-series cobots only.	RT6-A000025
	Air Filter (ROHS)	Replacement air filter for the control box.	The filter must be changed regularly to maintain efficiency. The replacement procedure can be found in the Hardware Installation Manual.	19937-214F
	TM Screen (Teaching Pendant) with Pen	The TM Screen devices can be combined with the Robot Stick design to become a teaching pendant, and operate the cobot from the touch screen environment.	The TM Screen is only compatible with S-Series units. No additional wiring is needed.	RT6-A000024
	Metal Joint Cover Set - TM5S/ TM7S	6-piece-set of black metal joint covers without logo. Designed for harsh working environments.	Only available for TM5S and TM7S units.	RT6-A000027
	Metal Joint Cover Set - TM6S/ TM12S/TM14S/TM20S	6-piece-set of black metal joint covers without logo. Designed for harsh working environments.	Only available for TM6S, TM12S, TM14S, and TM20S units.	RT6-A000029
	Photolith Light Module	Specifically developed for SEMI applications, this module filters out blue and UV light to enhance process safety and minimize the risk of unintended photoresist exposure or reactions.	For S-series cobots only.	RT6-A000030

Software

Product Name	Add-On Product Names	Remarks	Ordering Code
TMflow 2.X.X	N/A	Software required to control the cobot. Free download	N/A
Super Software Dongle	TM Identify & Measure	License, add-on to TMFlow. Includes: identification of pose variation, specific color area size, subtract reference image, line/circle burr, counting and gauge.	RT6-A000026
	TM External Vision	License, add-on to TMFlow. Required when using eye-to-hand cameras.	
	TM OCR	License, add-on to TMFlow. Includes: Text OCR and Number OCR.	
	PalletBoost 5 License	License, add-on to TMFlow 2.22 or above. Additional 5 kg payload license for TM25S and TM30S.	

TM S Series

Specifications

Product		TM5S	TM6S	TM7S	TM12S	TM14S	TM20S	TM25S	TM30S	
Robot Arm Weight, With Camera / Without Camera (kg)		23.9 / 23.6	35.5 / 35.2	22.9 / 22.6	33.3 / 33.0	33 / 32.7	33.3 / 33.0	81.6 / 81.3	80.6 / 80.3	
Control Box Weight, AC unit / DC unit (kg) *1		13.5 / 8.9					17.5 / 11.7			
Maximum Payload (kg)		5	6	7	12	14	20	25	30	
Reach (mm)		900	1800	700	1300	1100	1300	1902	1702	
Mounting		Wall, Table, Ceiling								
Joint Ranges		± 360°								
J1, J2, J4, J5, J6										
J3		± 158°	± 166°	± 152°	± 162°	± 159°	± 162°	± 166°	± 170°	
Joint Speed		J1	210°/s	130°/s	210°/s	130°/s	130°/s	100°/s		
		J2					95°/s			
		J3	210°/s			210°/s	125°/s	130°/s		
		J4	225°/s					160°/s	195°/s	
		J5						190°/s	210°/s	
		J6	450°/s					225°/s		
Average Speed (m/s) *2		1.4	1.1		1.3	1.1		2.1		
Repeatability (mm)		± 0.03	± 0.1	± 0.03			± 0.05			
Degrees of Freedom		6 rotating joints								
I/O Ports		Control Box		Digital In: 16 / Digital Out: 16 Analog In: 2 / Analog Out: 2						
		Tool Conn.		Digital In: 3 / Digital Out: 3						
I/O Power Supply		Control Box		24 V 2.0 A						
		Tool Conn.		24 V 1.5 A						
Ingress Protection		IP65 for Robot Arm, IP54 for Control Box *3, Robot Stick and TM Screen								
Cleanroom Class		ISO Cleanroom Class 3								
Operating Temperature and Humidity		0 to 50°C, 85% max. (with no condensation)								
Motor Power Supply		AC Units		100 to 240 VAC, 50/60 HZ				200 to 240 VAC, 50/60 Hz		
		DC Units		24 to 60 VDC				48 to 60 VDC		
I/O Interface		2 COM, 1 HDMI, 3 LAN, 2 USB2.0, 4 USB3.0								
Communication		RS-232/RS-422/RS-485, Ethernet, Modbus TCP/RTU (MainDevice & SubDevice), EtherCAT (optional), PROFINET (optional), EtherNet/IP (optional)								
Programming Environment		TMFlow (flowchart-based), TMScript (script-based), TMCraft (developer-based)								
Certifications		TÜV-certified ISO 13849-1, ISO 10218-1, ISO/TS 15066, UL1740, CAN/CSA Z424-14 (R2019), SEMI S2 (optional)								
Positioning Accuracy		2D Positioning: 0.1 mm *4 (camera models only)								
Robot Vision		Eye in Hand (Built in)		1.2MP / 5MP, color camera (camera models only)						
		Eye to Hand (Optional)		Supports maximum of 2 GigE 2D cameras						
Force x-y-z (TM25S/30S)		Range		± 300 N						
		Precision		2% full scale						
		Accuracy		5.5% full scale						
Torque x-y-z (TM25S/30S)		Range		± 30 Nm						
		Precision		0.3% full scale						
		Accuracy		5% full scale						

*1. The weight indicated applies to robots with no options. The weight for the fieldbus option will be 0.02 kg heavier than that of the standard unit. The weight of the DC SEMI S2 option for the TM5S/7S/12S/14S units is 9.9 kg. The weight of the Nano Control Box for the TM5S/6S/7S/12S/14S/20S units is 7.2 kg.

*2. Average speed is determined for each robot by performing a large linear motion at full project speed and default acceleration with no payload.

*3. The AC Control Box has an IP54 rating. The DC Control Box is not IP rated.

*4. The data in this table are measured by TM laboratory and the working distance is 100 mm. It should be noted that in practical applications, the relevant values may be different due to factors such as the on-site ambient light source, object characteristics, and vision programming methods that will affect the change in accuracy.

Version Information

The details in this document apply to products operating with the following hardware and software versions.

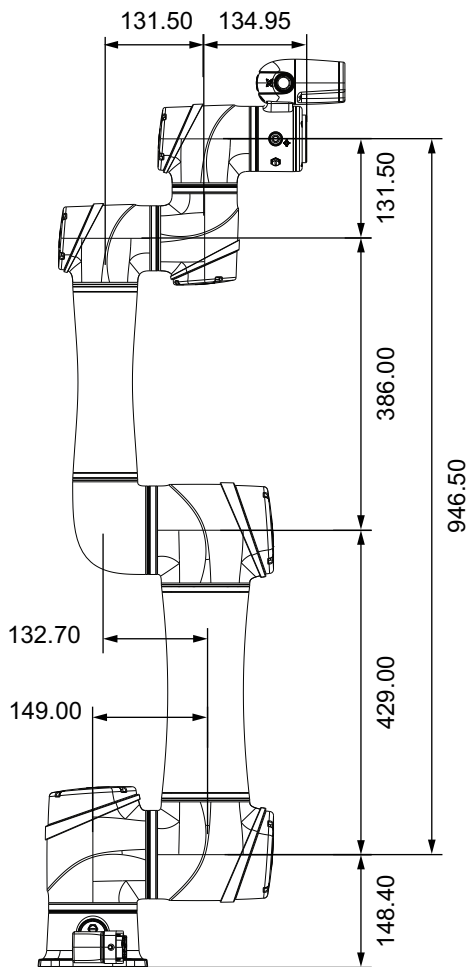
- Robot Hardware Version: 5.03
- TMFlow Version: 2.24

Dimensions

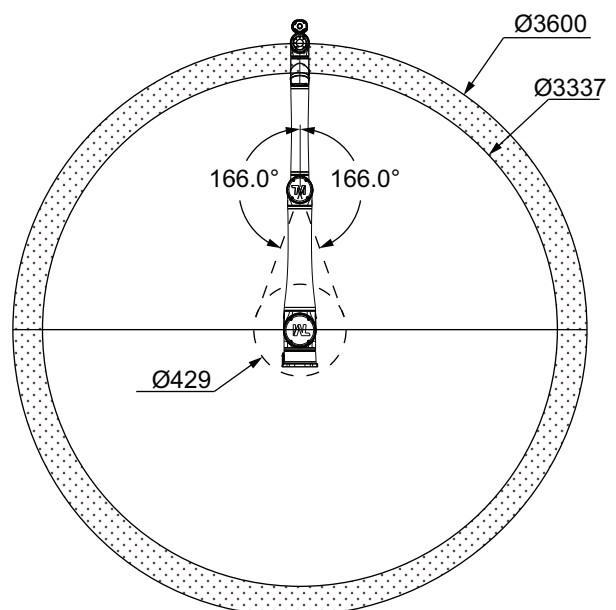
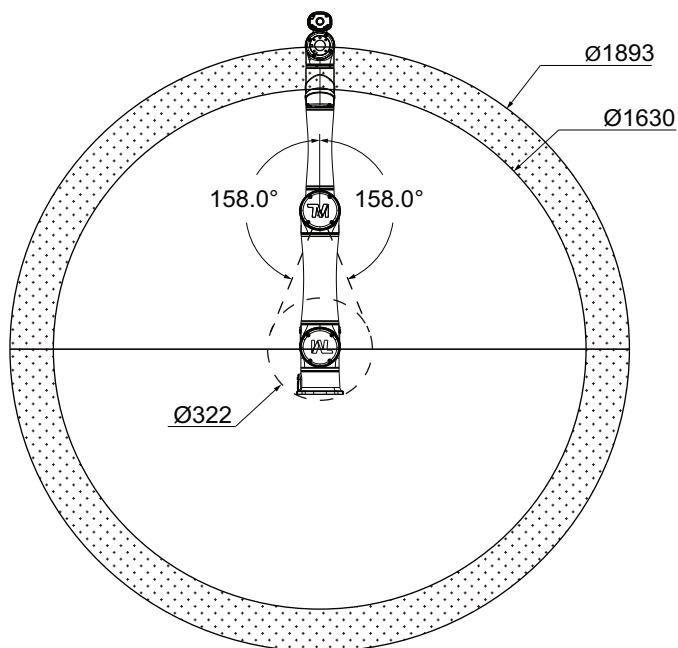
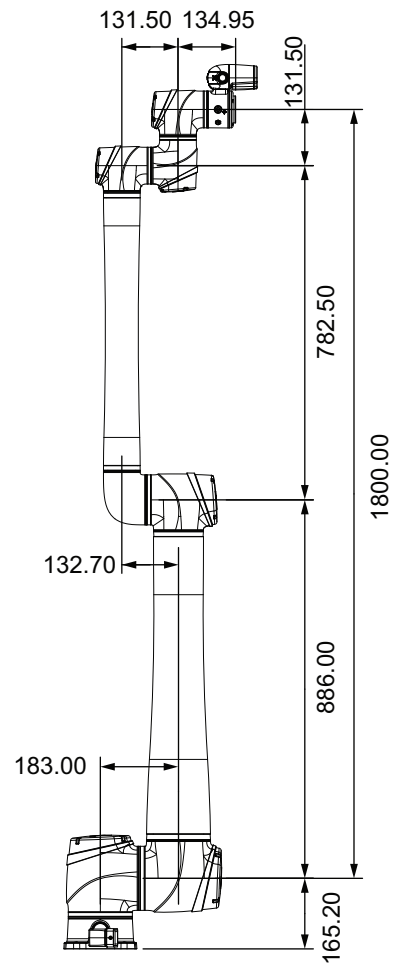
(Units: mm)

TM S Series

TM5S/TM5S-X */TM5S-M/TM5S-MX *



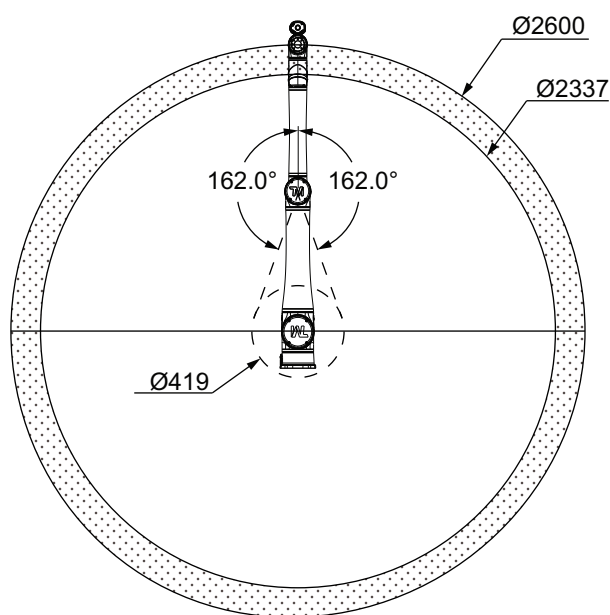
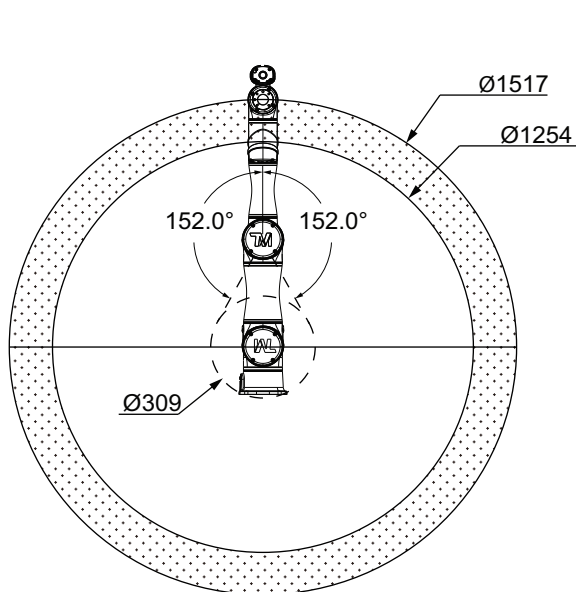
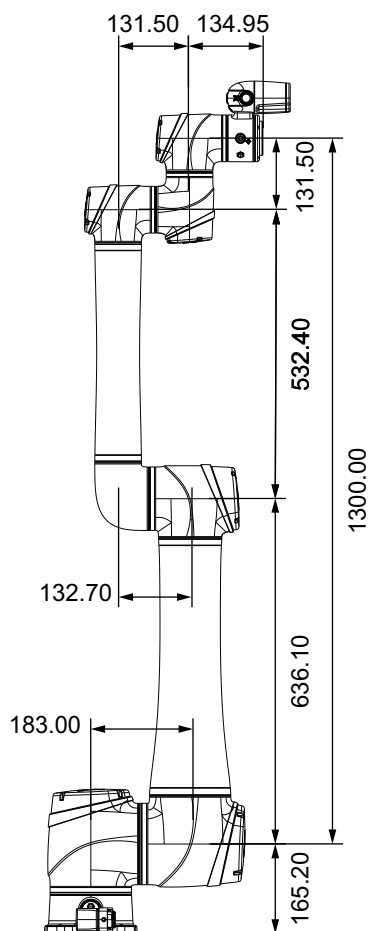
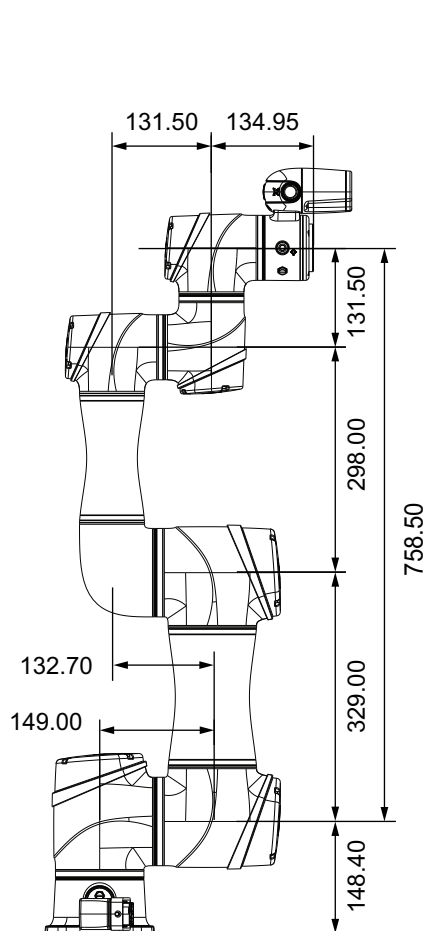
TM6S/TM6S-X */TM6S-M/TM6S-MX *



* Dimensions do not include the camera. Refer to *the Camera Dimensions* on page 14 for more information.

TM7S/TM7S-X */TM7S-M/TM7S-MX *

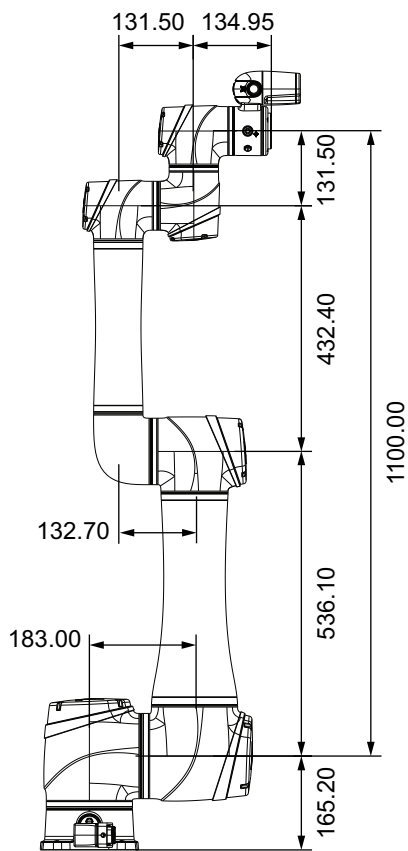
TM12S/TM12S-X */TM12S-M/TM12S-MX *



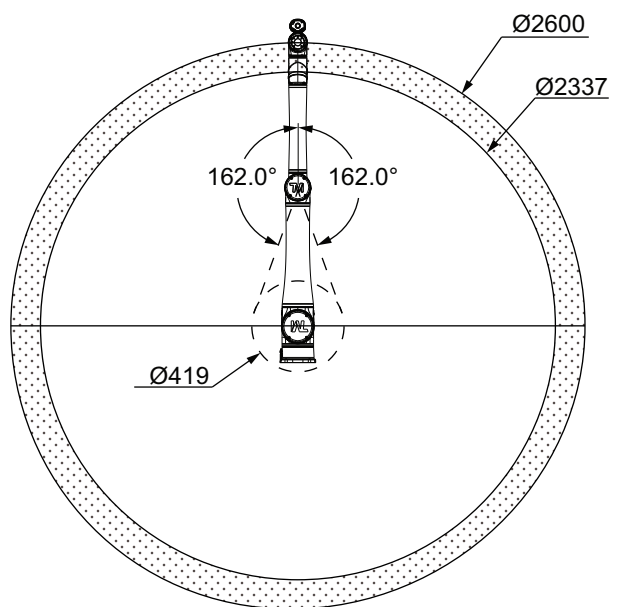
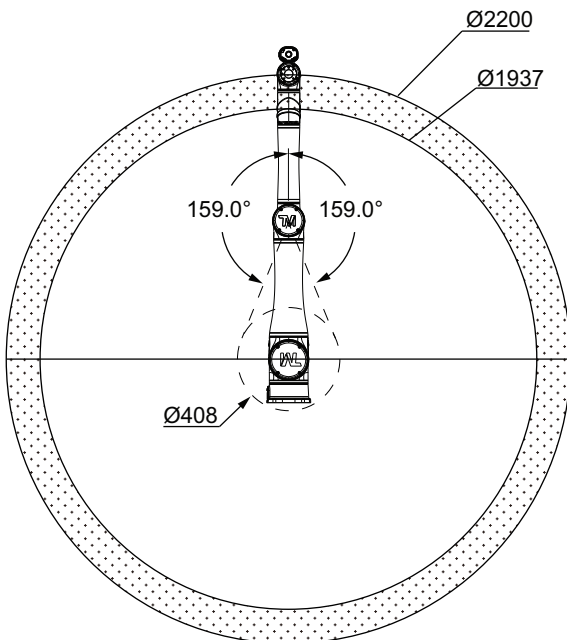
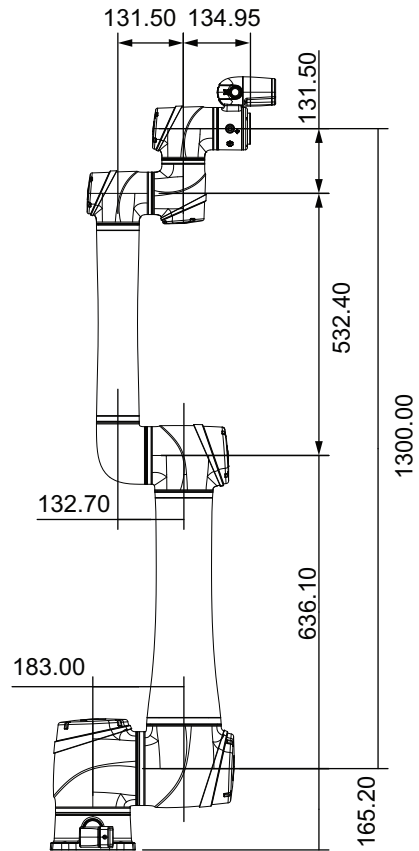
* Dimensions do not include the camera. Refer to *the Camera Dimensions* on page 14 for more information.

TM S Series

TM14S/TM14S-X */TM14S-M/TM14S-MX *



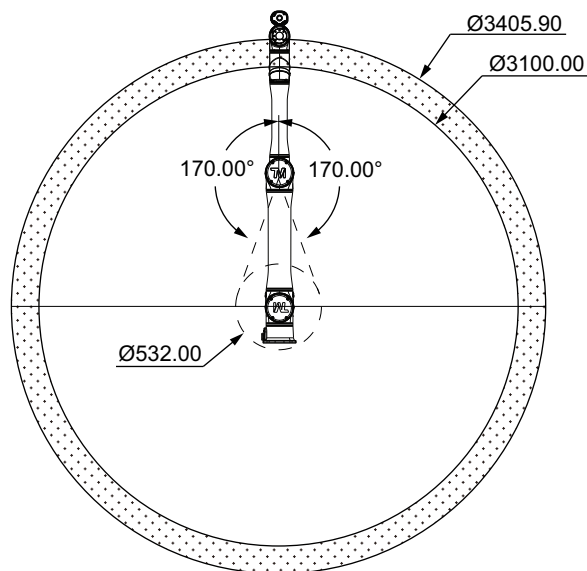
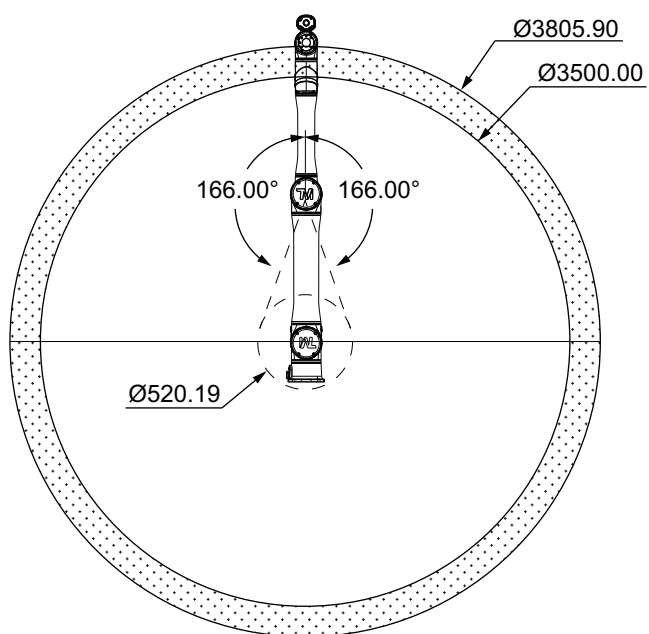
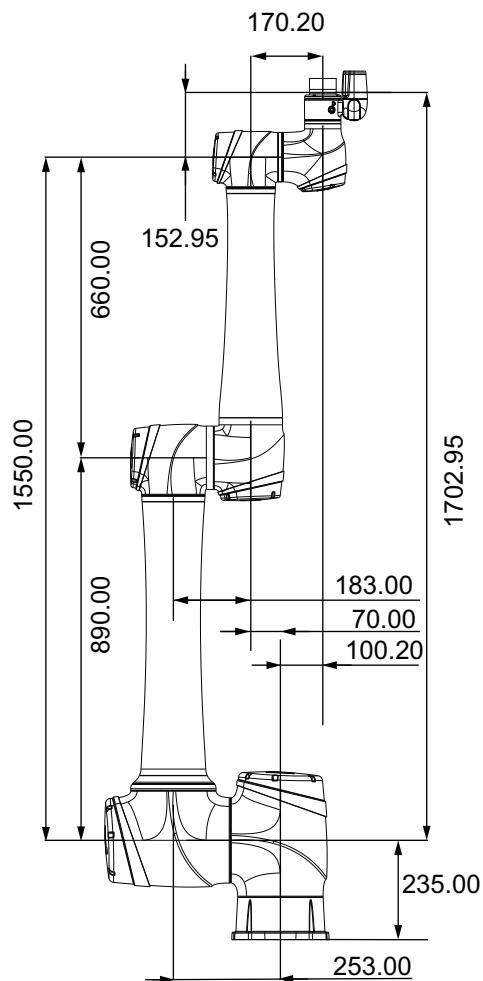
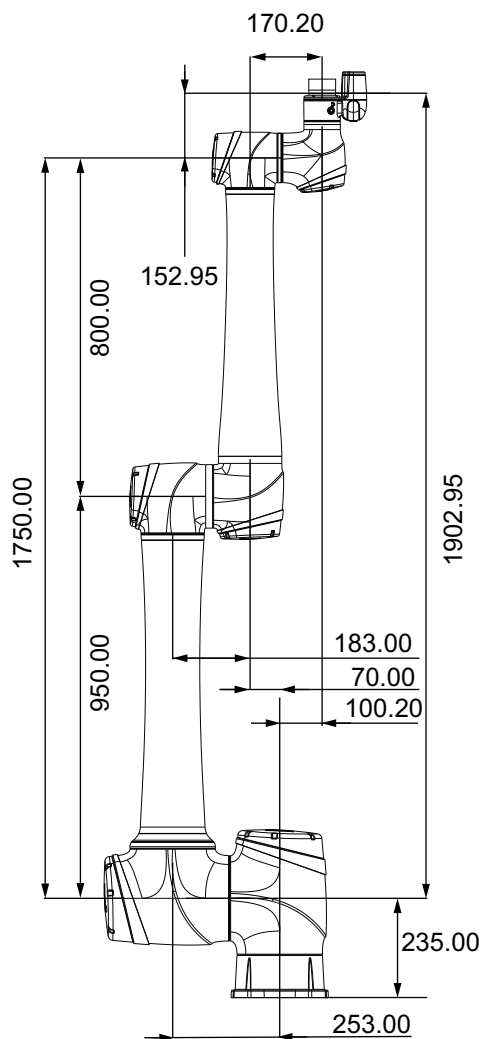
TM20S/TM20S-X */ TM20S-NM/TM20S-NMX *



* Dimensions do not include the camera. Refer to *the Camera Dimensions* on page 14 for more information.

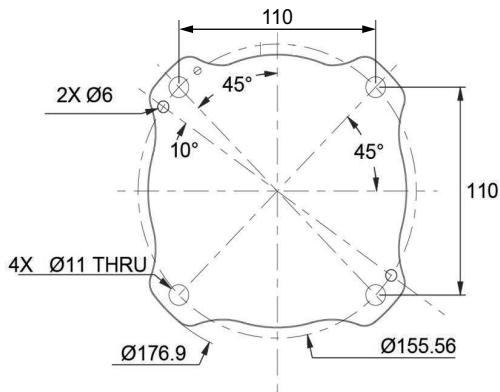
TM25S/TM25S-X */TM25S-M/TM25S-MX *

TM30S/TM30S-X */TM30S-M/TM30S-MX *

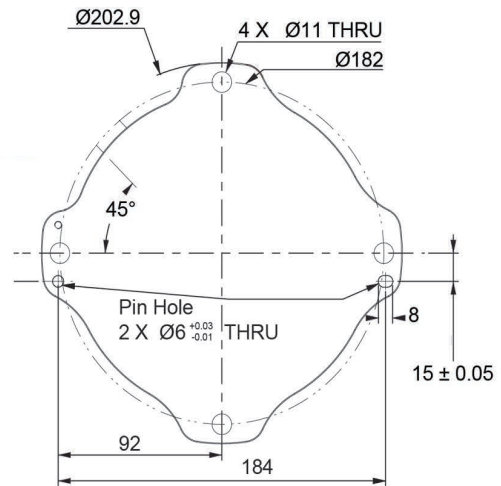


* Dimensions do not include the camera. Refer to the Camera Dimensions on page 14 for more information.

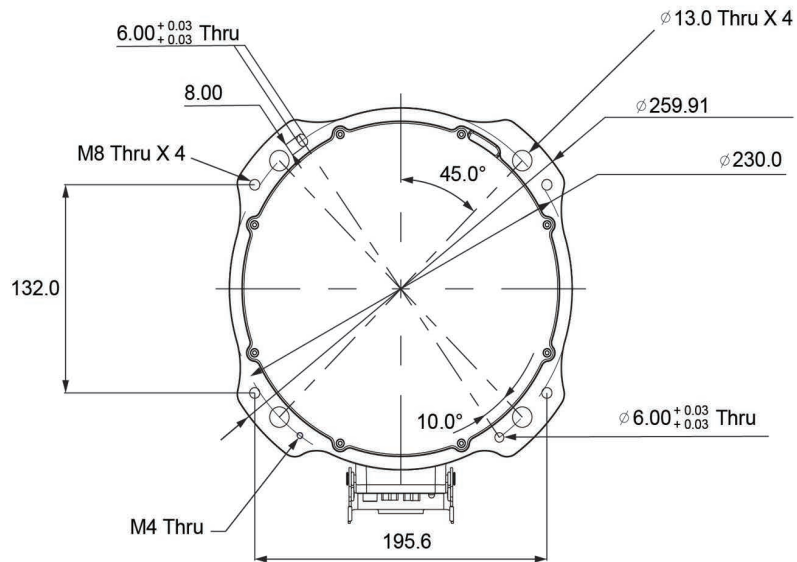
Footprint (TM5S/7S Models)



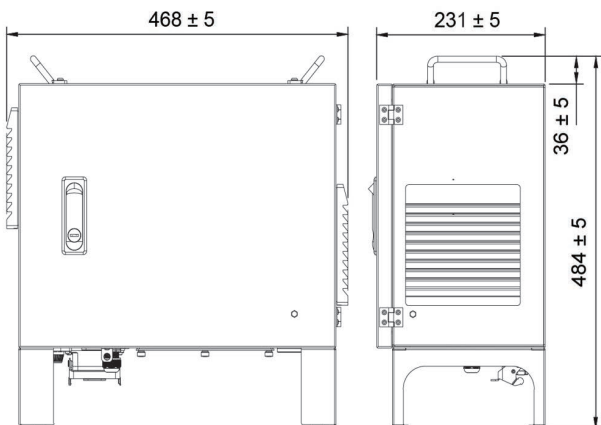
Footprint (TM6S/12S/14S/20S Models)



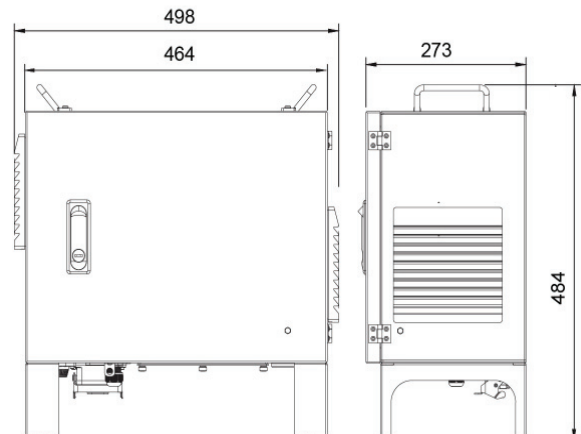
Footprint (TM25S/30S Models)



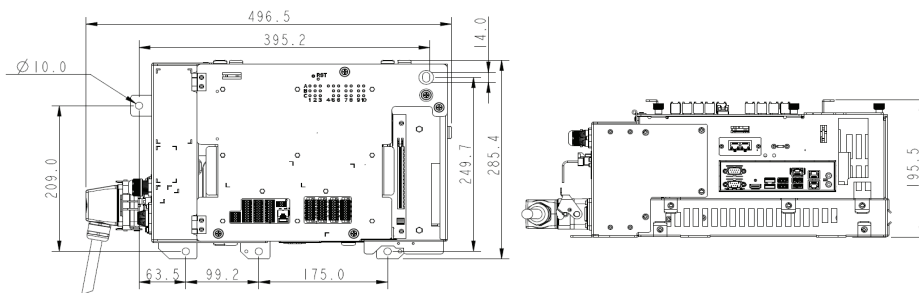
TM5S/6S/7S/12S/14S/20S Control Box (AC)



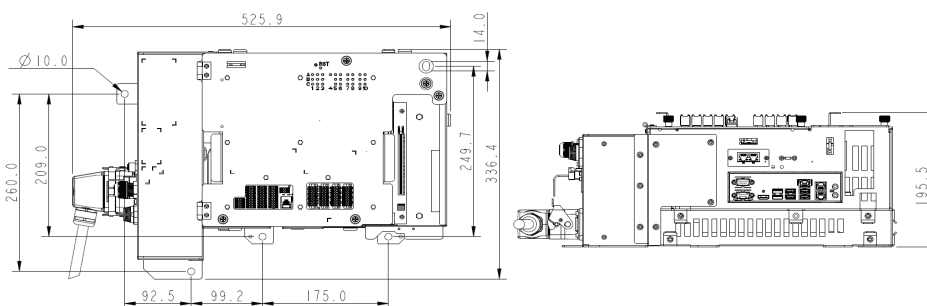
TM25S/30S Control Box (AC)



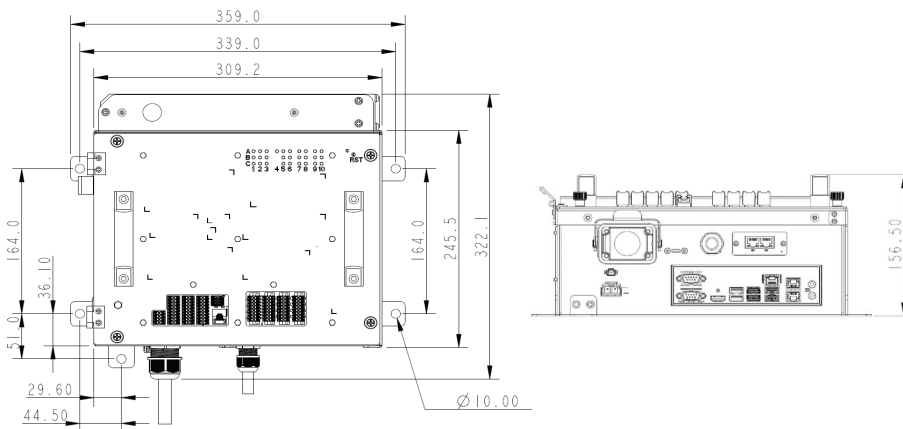
TM5S/6S/7S/12S/14S DC Control Box (DC)



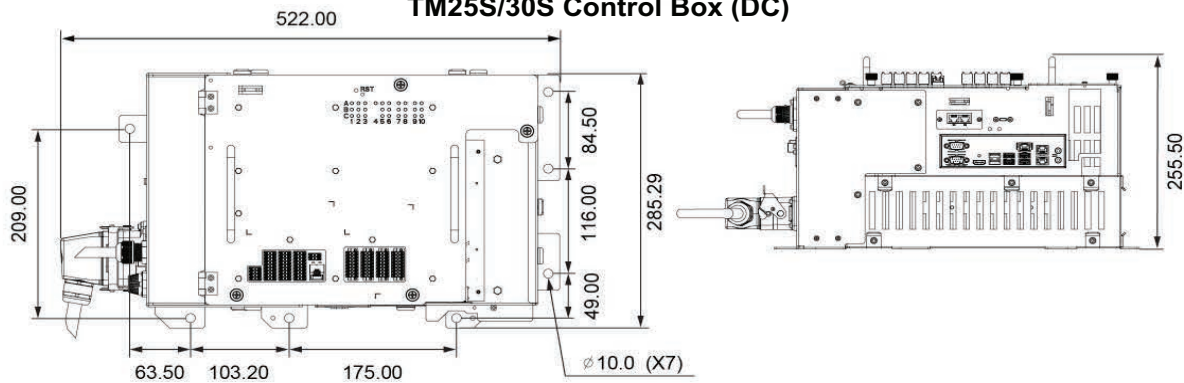
TM5S/7S/12S/14S Control Box (DC SEMI)



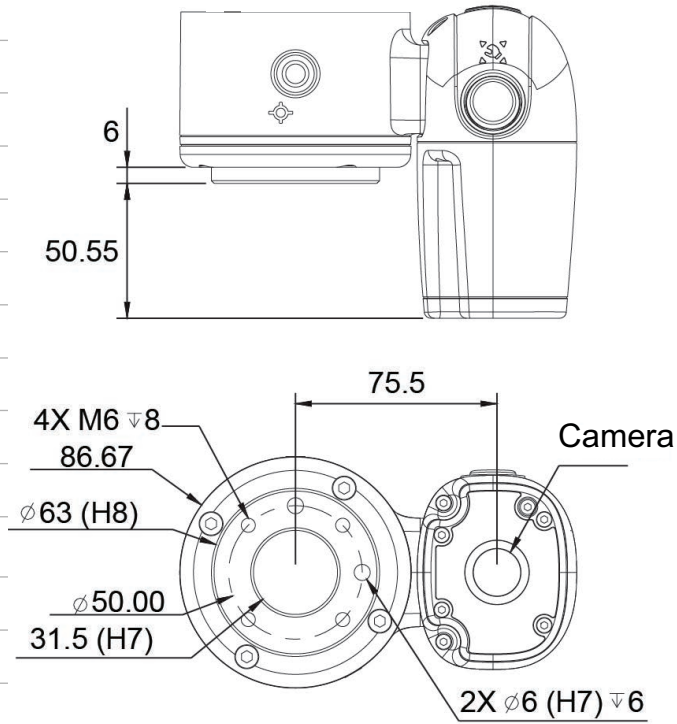
TM5S/6S/7S/12S/14S/20S Nano Control Box (DC)



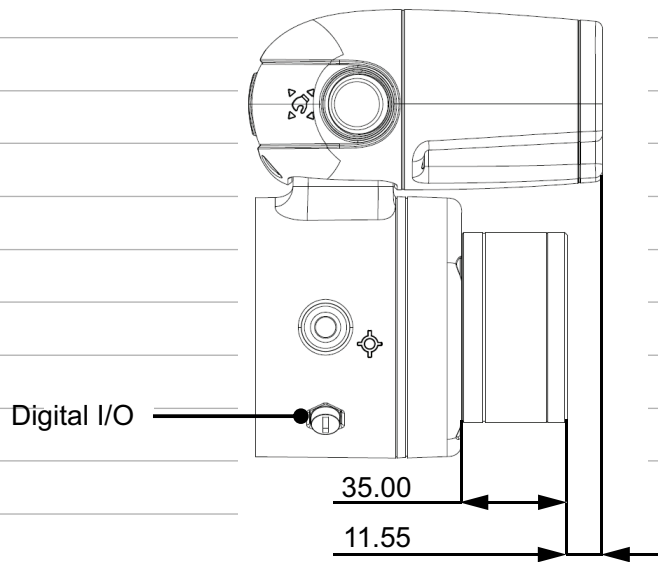
TM25S/30S Control Box (DC)



Tool Flange



Tool Flange with Integrated Force/Torque Sensor (TM25S/TM30S Models)



Related Manuals

Terms and Conditions Agreement	
Catalog Number	Title
M135	Omron TM Collaborative Robot S Series: TM5S/TM6S/TM7S/TM12S/TM14S/TM20S Hardware Installation Manual
Read and understand this catalog.	
Please read and understand this catalog before purchasing the Product. Please consult your OMRON representative if you have any questions or comments.	
I688	Omron TM Collaborative Robot S Series Safety Manual
I689	Omron TM Collaborative Robot: Software Manual TMFlow, Version 2
I690	Omron TM Collaborative Robot: TMVision Software Manual, Version 2
Warranties.	
I691	Omron TM Collaborative Robot S Series: Touch Screen User's Manual
I628	Omron TM Collaborative Robot: Mobile Work Station User's Manual
I629	Omron TM Collaborative Robot: Robot Stand User's Manual
I664	Omron TM Collaborative Robot: TMScript Language Manual

(a) Exclusive Warranty. Omron's exclusive warranty is that the Products will be free from defects in materials and workmanship for a period of twelve months from the date of sale by Omron (or such other period expressed in writing by Omron). Omron disclaims all other warranties, express or implied.

(b) Limitations. OMRON MAKES NO WARRANTY OR REPRESENTATION, EXPRESS OR IMPLIED, ABOUT NON-INFRINGEMENT, MERCHANTABILITY OR FITNESS FOR A PARTICULAR PURPOSE OF THE PRODUCTS. BUYER ACKNOWLEDGES THAT IT ALONE HAS DETERMINED THAT THE PRODUCTS WILL SUITABLY MEET THE REQUIREMENTS OF THEIR INTENDED USE.

Omron further disclaims all warranties and responsibility of any type for claims or expenses based on infringement by the Products or otherwise of any intellectual property right. (c) Buyer Remedy. Omron's sole obligation hereunder shall be, at Omron's election, to (i) replace (in the form originally shipped with Buyer responsible for labor charges for removal or replacement thereof) the non-complying Product, (ii) repair the non-complying Product, or (iii) repay or credit Buyer an amount equal to the purchase price of the non-complying Product; provided that in no event shall Omron be responsible for warranty, repair, indemnity or any other claims or expenses regarding the Products unless Omron's analysis confirms that the Products were properly handled, stored, installed and maintained and not subject to contamination, abuse, misuse or inappropriate modification. Return of any Products by Buyer must be approved in writing by Omron before shipment. Omron Companies shall not be liable for the suitability or unsuitability or the results from the use of Products in combination with any electrical or electronic components, circuits, system assemblies or any other materials or substances or environments. Any advice, recommendations or information given orally or in writing, are not to be construed as an amendment or addition to the above warranty.

See <http://www.omron.com/global/> or contact your Omron representative for published information.

Limitation on Liability: Etc.

OMRON COMPANIES SHALL NOT BE LIABLE FOR SPECIAL, INDIRECT, INCIDENTAL, OR CONSEQUENTIAL DAMAGES, LOSS OF PROFITS OR PRODUCTION OR COMMERCIAL LOSS IN ANY WAY CONNECTED WITH THE PRODUCTS, WHETHER SUCH CLAIM IS BASED IN CONTRACT, WARRANTY, NEGLIGENCE OR STRICT LIABILITY.

Further, in no event shall liability of Omron Companies exceed the individual price of the Product on which liability is asserted.

Suitability of Use.

Omron Companies shall not be responsible for conformity with any standards, codes or regulations which apply to the combination of the Product in the Buyer's application or use of the Product. At Buyer's request, Omron will provide applicable third party certification documents identifying ratings and limitations of use which apply to the Product. This information by itself is not sufficient for a complete determination of the suitability of the Product in combination with the end product, machine, system, or other application or use. Buyer shall be solely responsible for determining appropriateness of the particular Product with respect to Buyer's application, product or system. Buyer shall take application responsibility in all cases.

NEVER USE THE PRODUCT FOR AN APPLICATION INVOLVING SERIOUS RISK TO LIFE OR PROPERTY OR IN LARGE QUANTITIES WITHOUT ENSURING THAT THE SYSTEM AS A WHOLE HAS BEEN DESIGNED TO ADDRESS THE RISKS, AND THAT THE OMRON PRODUCT(S) IS PROPERLY RATED AND INSTALLED FOR THE INTENDED USE WITHIN THE OVERALL EQUIPMENT OR SYSTEM.

Programmable Products.

Omron Companies shall not be responsible for the user's programming of a programmable Product, or any consequence thereof.

Performance Data.

Data presented in Omron Company websites, catalogs and other materials is provided as a guide for the user in determining suitability and does not constitute a warranty. It may represent the result of Omron's test conditions, and the user must correlate it to actual application requirements. Actual performance is subject to the Omron's Warranty and Limitations of Liability.

Change in Specifications.

Product specifications and accessories may be changed at any time based on improvements and other reasons. It is our practice to change part numbers when published ratings or features are changed, or when significant construction changes are made. However, some specifications of the Product may be changed without any notice. When in doubt, special part numbers may be assigned to fix or establish key specifications for your application. Please consult with your Omron's representative at any time to confirm actual specifications of purchased Product.

Errors and Omissions.

Information presented by Omron Companies has been checked and is believed to be accurate; however, no responsibility is assumed for clerical, typographical or proofreading errors or omissions.

Note: Do not use this document to operate the Unit.

OMRON Corporation Industrial Automation Company

Kyoto, JAPAN

Contact : www.ia.omron.com

Regional Headquarters

OMRON EUROPE B.V.

Wegalaan 67-69, 2132 JD Hoofddorp
The Netherlands
Tel: (31) 2356-81-300 Fax: (31) 2356-81-388

OMRON ASIA PACIFIC PTE. LTD.

438B Alexandra Road, #08-01/02 Alexandra
Technopark, Singapore 119968
Tel: (65) 6835-3011 Fax: (65) 6835-3011

OMRON ELECTRONICS LLC

2895 Greenspoint Parkway, Suite 200
Hoffman Estates, IL 60169 U.S.A.
Tel: (1) 847-843-7900 Fax: (1) 847-843-7787

OMRON ROBOTICS AND SAFETY TECHNOLOGIES, INC.

4225 Hacienda Drive, Pleasanton, CA 94588 U.S.A.
Tel: (1) 925-245-3400 Fax: (1) 925-960-0590

OMRON (CHINA) CO., LTD.

Room 2211, Bank of China Tower, 200 Yin Cheng Zhong Road,
PuDong New Area, Shanghai, 200120, China
Tel: (86) 21-6023-0333 Fax: (86) 21-5037-2388

Authorized Distributor:

©OMRON Corporation 2024-2026 All Rights Reserved.
In the interest of product improvement,
specifications are subject to change without notice.

Cat. No. M108-E-08 XX26 (0324)

25043-000H