

Product Discontinuation

HW3.2 Collaborative Robots

**TM5-900, TM5-700, TM12
TM14, TM16, TM20, HW3.2
Food Grade Grease Units**



Recommended Replacement

HW5.0 Collaborative Robots

**TM5S, TM7S, TM12S, TM14S,
TM20S**

**No recommended
replacement for
TM16 and HW3.2 Food Grade
Grease Units**

[Final order entry date]

The effective date for all customers outside Europe is **March 31st, 2027**. For customers in Europe, the effective date is **December 1st, 2026**, in accordance with applicable machinery regulation requirements.

[Date of The Last Shipping]

The effective date for all customers outside Europe is **April 30th, 2027**. For customers in Europe, the effective date is **December 31st, 2026**, in accordance with the applicable Machinery Regulation requirements.

The last shipping date refers to the date the units are shipped to customers

[Scheduled date of maintenance close]

Mar 31st, 2032

[Caution on recommended replacement]

From a compliance perspective, the HW3.2 series does not meet the mandatory requirements of the new Machinery Regulation (EU) 2023/1230. In contrast, the upgraded models in HW5.0X series, specifically the new HW5.04 series or later version, are the product family recommended by OMRON and will comply with the new Machinery Regulation (EU).

For optimal performance and safety, we recommend using the recommended Cobot bundles. The HW5.0 Cobots, released by OMRON Robotics since April 2023, are safer, more functional, and more powerful units. These new Cobots are fully compliant with ISO 13849-1:2023, PL d, Category III and operate within the TMFlow 2.XX software environment.

We offer most of the main models from the HW3.2 series in the HW5.0 units, except for the TM16 and the food-grade grease series. In addition, several new main models have been introduced in HW5.0, including but not limited to the TM25S, TM30S, and TM6S.

From the software perspective, the HW3.2 Cobot is operated using TMFlow 1.88 or earlier. It is not recommended to run HW3.2 on the TMFlow 2.xx framework, as projects developed in TMFlow 1.88 may not transfer smoothly to the newer framework.

Also, HW5.0 only has 2 COM ports while HW3.2 has 3 COM ports. On HW3.2, the IO module has 2 ports (1 5-pin port and 1 8-pin port), On HW5.0 there is only 1 port with 12-pin port. HW3.2 has 1 extra Analog IO port

[Difference from discontinued product]

Recommended replacement Model	Body Color	Dimensions	Wire connection	Mounting Dimensions	Characteristics	Operation ratings	Operation methods
TM5S Series	*	*	**	**	*	*	*
TM7S Series	*	*	**	**	*	*	*
TM12S Series	*	*	**	**	*	*	*
TM14S Series	*	*	**	**	*	*	*
TM20S Series	*	*	**	**	*	*	*

** : Compatible

* : The change is a little/Almost compatible

[Product Discontinuation and recommended replacement]

The table below provides the detailed information for HW3.2 standard units replacements:

Product discontinuation	Product discontinuation Part Number	Recommended replacement	Recommended replacement Part Number	Special Note
TM5-900	RT6-0009001	TM5S	RT6-0009004	
TM5-900, 12m cable	RT6-0009002	TM5S, 12m cable	RT6-0009005	
TM5-900-X	RT6-0019001	TM5S-X	RT6-0019004	
TM5-900-X, 12m cable	RT6-0019002	TM5S-X, 12m cable	RT6-0019005	
TM5-900-M	RT6-0109001	TM5S-M	RT6-0109004	
TM5-900-M SEMI	RT6-0109011	TM5S-M SEMI	RT6-0109014	
TM5-900-MX	RT6-0119001	TM5S-MX	RT6-0119004	
TM5-700	RT6-0007001	TM7S	RT6-6007004	
TM5-700, 12m cable	RT6-0007002	TM7S, 12m cable	RT6-6007005	
TM5-700-X	RT6-0017001	TM7S-X	RT6-6017004	
TM5-700-X, 12m cable	RT6-0017002	TM7S-X, 12m cable	RT6-6017005	
TM5-700-M	RT6-0107001	TM7S-M	RT6-6107004	
TM5-700-M SEMI	RT6-0107011	TM7S-M SEMI	RT6-6107014	
TM5-700-MX	RT6-0117001	TM7S-MX	RT6-6117004	
TM12	RT6-1001301	TM12S	RT6-1001304	
TM12, 12m cable	RT6-1001302	TM12S, 12m cable	RT6-1001305	
TM12-X	RT6-1011301	TM12S-X	RT6-1011304	
TM12-X, 12m cable	RT6-1011302	TM12S-X, 12m cable	RT6-1011305	
TM12-M	RT6-1101301	TM12S-M	RT6-1101304	
TM12-M SEMI	RT6-1101311	TM12S-M SEMI	RT6-1101314	
TM12-MX	RT6-1111301	TM12S-MX	RT6-1111304	
TM14	RT6-2001101	TM14S	RT6-2001104	
TM14, 12m cable	RT6-2001102	TM14S, 12m cable	RT6-2001105	
TM14-X	RT6-2011101	TM14S-X	RT6-2011104	
TM14-X, 12m cable	RT6-2011102	TM14S-X, 12m cable	RT6-2011105	
TM14-M	RT6-2101101	TM14S-M	RT6-2101104	
TM14-M SEMI	RT6-2101111	TM14S-M SEMI	RT6-2101114	
TM14-MX	RT6-2111101	TM14S-MX	RT6-2111104	
TM20	RT6-4001301	TM20S	RT6-4001304	
TM20, 12m cable	RT6-4001302	TM20S, 12m cable	RT6-4001305	
TM20-X	RT6-4011301	TM20S-X	RT6-4011304	
TM20-X, 12m cable	RT6-4011302	TM20S-X, 12m cable	RT6-4011305	

TM20-M	RT6-4101301	TM20S-M	RT6-4101304	to be officially introduced
TM20-M SEMI	RT6-4101311	TM20S-M SEMI	RT6-4101314	

The table below provides the detailed information for HW3.2 fieldbus units replacements:

Product discontinuation	Product discontinuation Part Number	Recommended replacement	Recommended replacement Part Number	Special Note	
TM5-900, Fieldbus	RT6-0009021	TM5S, Fieldbus	RT6-0009024		
TM5-900, 12m cable, Fieldbus	RT6-0009022	TM5S, 12m cable, Fieldbus	RT6-0009025		
TM5-900-X, Fieldbus	RT6-0019021	TM5S-X, Fieldbus	RT6-0019024		
TM5-900-X, 12m cable, Fieldbus	RT6-0019022	TM5S-X, 12m cable, Fieldbus	RT6-0019025		
TM5-900-M, Fieldbus	RT6-0109021	TM5S-M, Fieldbus	RT6-0109024		
TM5-900-MX, Fieldbus	RT6-0119021	TM5S-MX, Fieldbus	RT6-0119024		
TM5-700, Fieldbus	RT6-0007021	TM7S, Fieldbus	RT6-6007024		
TM5-700, 12m cable, Fieldbus	RT6-0007022	TM7S, 12m cable, Fieldbus	RT6-6007025		
TM5-700-X, Fieldbus	RT6-0017021	TM7S-X, Fieldbus	RT6-6017024		
TM5-700-X, 12m cable, Fieldbus	RT6-0017022	TM7S-X, 12m cable, Fieldbus	RT6-6017025		
TM5-700-M, Fieldbus	RT6-0107021	TM7S-M, Fieldbus	RT6-6107024		
TM5-700-MX, Fieldbus	RT6-0117001	TM7S-MX, Fieldbus	RT6-6117024		
TM12, Fieldbus	RT6-1001321	TM12S, Fieldbus	RT6-1001324		
TM12, 12m cable, Fieldbus	RT6-1001322	TM12S, 12m cable, Fieldbus	RT6-1001325		
TM12-X, Fieldbus	RT6-1011321	TM12S-X, Fieldbus	RT6-1011324		
TM12-X, 12m cable, Fieldbus	RT6-1011322	TM12S-X, 12m cable, Fieldbus	RT6-1011325		
TM12-M, Fieldbus	RT6-1101321	TM12S-M, Fieldbus	RT6-1101324		
TM12-MX, Fieldbus	RT6-1111321	TM12S-MX, Fieldbus	RT6-1111324		
TM14, Fieldbus	RT6-2001121	TM14S, Fieldbus	RT6-2001124		
TM14, 12m cable, Fieldbus	RT6-2001122	TM14S, 12m cable, Fieldbus	RT6-2001125		
TM14-X, Fieldbus	RT6-2011121	TM14S-X, Fieldbus	RT6-2011124		
TM14-X, 12m cable, Fieldbus	RT6-2011122	TM14S-X, 12m cable, Fieldbus	RT6-2011125		
TM14-M, Fieldbus	RT6-2101121	TM14S-M, Fieldbus	RT6-2101124		
TM14-MX, Fieldbus	RT6-2111121	TM14S-MX, Fieldbus	RT6-2111124		
TM20, Fieldbus	RT6-4001321	TM20S, Fieldbus	RT6-4001324		
TM20, 12m cable, Fieldbus	RT6-4001322	TM20S, 12m cable, Fieldbus	RT6-4001325		
TM20-X, Fieldbus	RT6-4011321	TM20S-X, Fieldbus	RT6-4011324		
TM20-X, 12m cable, Fieldbus	RT6-4011322	TM20S-X, 12m cable, Fieldbus	RT6-4011325		
TM20-M, Fieldbus	RT6-4101321	TM20S-M, Fieldbus	RT6-4101324		to be officially introduced soon
TM20-M SEMI, Fieldbus	RT6-4101351	TM20S-M SEMI, Fieldbus	RT6-4101354		

The recommended replacement table for the HW3.2 accessories and software license

Product Discontinuation	Product Discontinuation Part Number	Recommended Replacement	Recommended Replacement Part Number	Special Note
Accessory, TM, TM Land Mark	RT6-A000008	Accessory, TM, TM Land Mark 2.0	RT6-A000028	
Accessory, Cobot Teach Pendant	RT6-A000020	Accessory, TM Screen (Teach Pendant) with Pen	RT6-A000024	
Accessory, TM Polarizer Light Module	RT6-A000022	Accessory, TM Polarizer Light Module, S Series	RT6-A000025	
License, TMFlow Editor	RT6-S200001	Replaced by TMSimulator (TMFlow 2.16)	N/A	
License, Software, TM Identify & Measure	RT6-S100000	Software now in Super Soft Ware Dongle	RT6-A000026	
License, Software, TM External Vision	RT6-S100002			
License, Software, TM OCR	RT6-S100003			
License, Software, TMFlow Editor - Offline AOI	RT6-S100005	Replaced by TMFlow 2.22	N/A	

Discontinued HW3.2 Cobot Bundle Units



Product Discontinuation	Product Discontinuation Part Number	Recommended Replacement	Recommended Replacement Part Number	Special Note
TM16	RT6-3009001	N/A	N/A	
TM16X	RT6-3019001	N/A	N/A	
TM16M	RT6-3109001	N/A	N/A	
TM16MX	RT6-3119001	N/A	N/A	
TM16M SEMI	RT6-3109011	N/A	N/A	
TM16, Fieldbus	RT6-3009021	N/A	N/A	
TM16X, Fieldbus	RT6-3019021	N/A	N/A	
TM16M, Fieldbus	RT6-3109021	N/A	N/A	
TM16MX, Fieldbus	RT6-3119021	N/A	N/A	
TM5-700, FGG	RT6-0007031	N/A	N/A	
TM5X-700, FGG	RT6-0017031	N/A	N/A	
TM5-900, FGG	RT6-0009031	N/A	N/A	
TM5X-900, FGG	RT6-0019031	N/A	N/A	
TM12, FGG	RT6-1001331	N/A	N/A	
TM12X, FGG	RT6-1011331	N/A	N/A	
TM14, FGG	RT6-2001131	N/A	N/A	
TM14X, FGG	RT6-2011131	N/A	N/A	
TM5-700, FGG, Fieldbus	RT6-0007041	N/A	N/A	
TM5X-700, FGG, Fieldbus	RT6-0017041	N/A	N/A	
TM5-900, FGG, Fieldbus	RT6-0009041	N/A	N/A	
TM5X-900, FGG, Fieldbus	RT6-0019041	N/A	N/A	
TM12, FGG, Fieldbus	RT6-1001341	N/A	N/A	
TM12X, FGG, Fieldbus	RT6-1011341	N/A	N/A	

TM14, FGG, Fieldbus	RT6-2001141	N/A	N/A	
TM14X, FGG, Fieldbus	RT6-2011141	N/A	N/A	


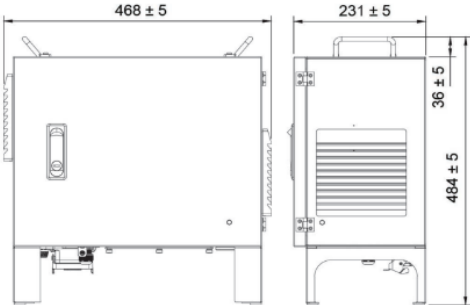
Discontinued HW3.2 accessories and license table

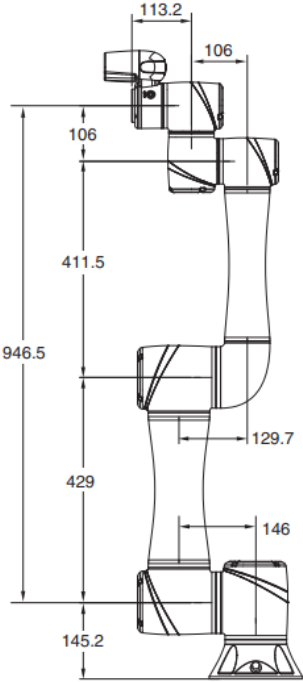
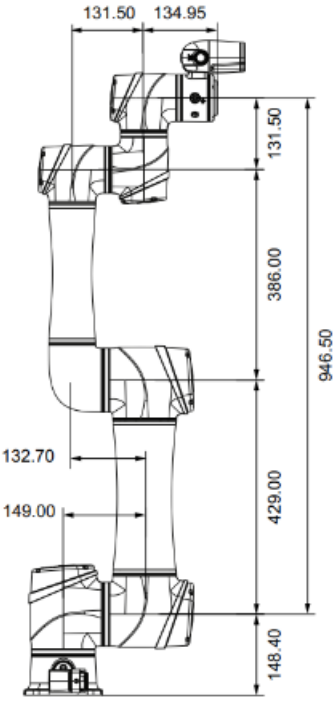
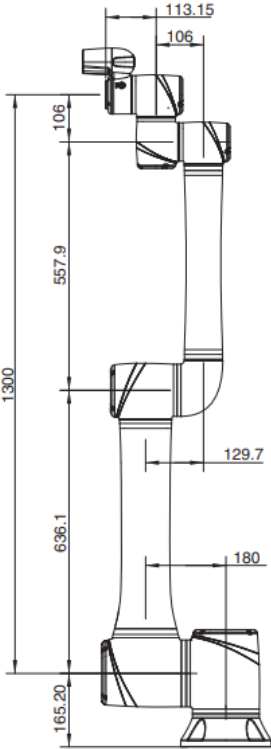
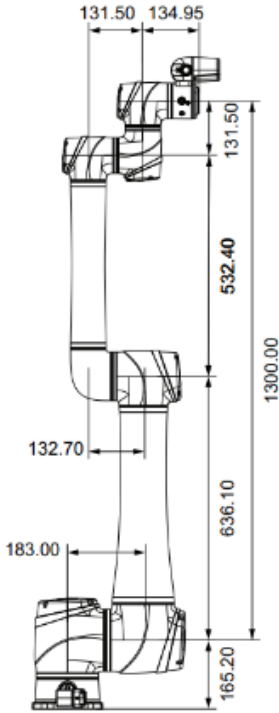
Product Discontinuation	Product Discontinuation Part Number	Recommended Replacement	Recommended Replacement Part Number	Special Note
Accessory, TM, ROBOT STICK STAND	RT6-A000000	N/A	N/A	
Accessory, TM, USB DONGLE	RT6-A000004	N/A	N/A	
Accessory, TM, Pneumatic Control Box	RT6-A000015	N/A	N/A	
License, Omron-TM Operator Suite	RT6-S100006	N/A	N/A	
License, Omron-TM Operator Runtime	RT6-S100007	N/A	N/A	
License, TMstudio Palletizing Wizard Export	RT6-S100008	N/A	N/A	
License, Omron-TM Operator Runtime License, TMstudio Palletizing Wizard Export	RT6-S100009	N/A	N/A	

[Body Color]

<p>Product discontinuation Cobot HW3.2 Series</p>	<p>Recommendable replacement Model HW5.0 Series</p>
<p>A HW3.2 TM16 Unit</p> 	<p>A HW5.0 TM5S Unit</p> 

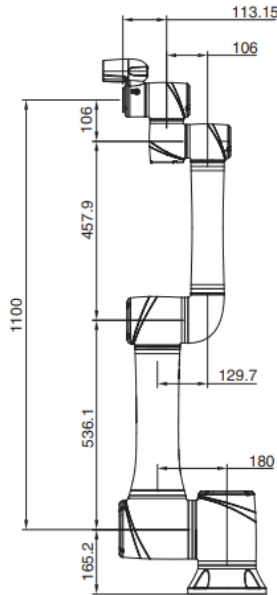
[Dimensions]

<p>Product discontinuation Cobot HW3.2 Series</p>	<p>Recommendable replacement Model HW5.0 Series</p>
<p>Control Box</p> 	<p>TM5S/6S/7S/12S/14S/20S Control Box (AC)</p> 

<p align="center">Product discontinuation Cobot HW3.2 Series</p>	<p align="center">Recommendable replacement Model HW5.0 Series</p>
<p>TM5-900</p> 	<p>TM5S/TM5S-X*/TM5S-M/TM5S-MX* 1</p>  <p><i>MiN/Ar design changes have been made to J5 and J6, including dimensional modifications</i></p>
<p>TM12</p> 	<p>TM12S/TM12S-X*/TM12S-M/TM12S-MX*</p>  <p><i>MiN/Ar design changes have been made to J5 and J6, including dimensional modifications</i></p>

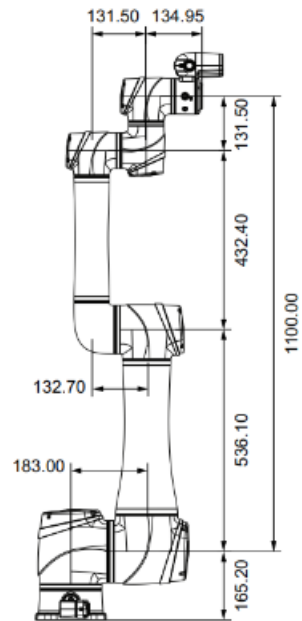
**Product discontinuation
Cobot HW3.2 Series**

TM14



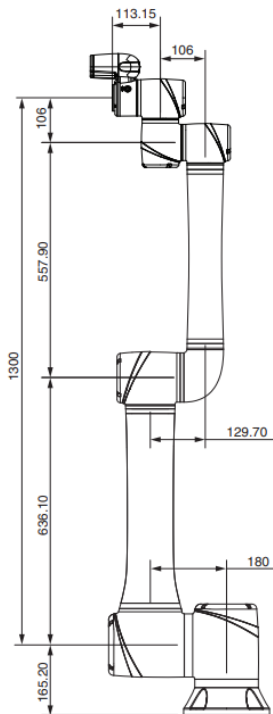
**Recommendable replacement
Model HW5.0 Series**

TM14S/TM14S-X*/TM14S-M/TM14S-MX*

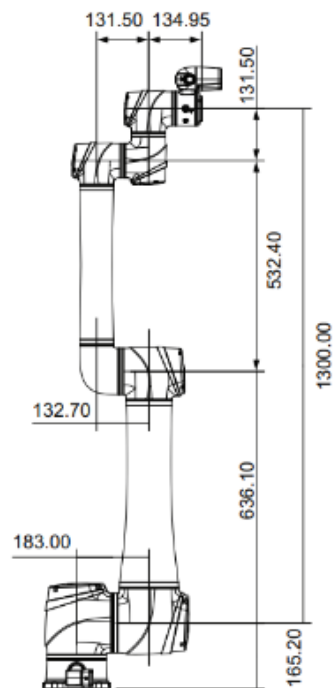


MiN/Ar design changes have been made to J5 and J6, including dimensional modifications.

TM20/20X



TM20S/TM20S-X*



MiN/Ar design changes have been made to J5 and J6, including dimensional modifications.

[Wire Connection]

Product discontinuation Cobot HW3.2	Recommendable replacement Cobot HW5.0
RS232, Ethernet (master), Modbus TCP/RTU (master & slave), PROFINET (optional), EtherNet/IP (optional)	RS-232/RS-422/RS-485, Ethernet, Modbus TCP/RTU (MainDevice & SubDevice), EtherCAT (optional) , PROFINET (optional), EtherNet/IP (optional) <i>Adding EtherCat into the new version</i>

[Mounting Methods]

Product Discontinuation Cobot HW3.2	Recommendable replacement Cobot HW5.0
Wall, Table, Ceiling	Wall, Table, Ceiling

[Characteristics]

Key Improvements in HW5.0 Compared with HW3.2

Feature	HW3.2	HW5.0
Payload	4 kg to 20 kg	5 kg to 30 kg
Joint Range	Less than 360° of freedom	360° freedom for J1 / J2 / J4 / J5 / J6
J6 Joint Speed	225°/s	450°/s
Repeatability	±0.05 mm (TM5-X, TM12, TM14, TM20)	±0.03 mm (TM5S, TM7S, TM12S, TM14S); ±0.05 mm (TM20S)
Anti-Oil-Cutting Corrosion	N/A	Enhanced joint covers across the entire HW5.0 series

[Operation Ratings]

Model	Ingress Protection Level	Cleanroom Class	Safety Features	Main Certificates
HW3.2	IP 54 for Robot Arm IP 32 for Control Box IP 40 for Robot Stick	ISO Class 3	Up to 19 Safety Features	EN ISO 13849-1:2015, Cat 2, PL d ISO 10218-1:2011
HW5.0	IP65 for HW5.03 Robot Arm IP 54 for HW5.02 Robot Arm, AC Control Box, Robot Stick and TM Teach Pendant	ISO Class 3	Up to 33 Safety Features (with TMFlow 2.22)	ISO 13849-1:2023, Cat.3, PL d ISO 10218-1:2011 UL 1740 4th edition CAN/CSA Z434-14(R2019)

* To compare all specifications in a tabular format, refer to the datasheets.

* Specifications in this product news are as the issue date and are subject to change without notice.

[Spare Parts]

The following spare parts will remain available through the end of the support period. We will make every reasonable effort to supply these parts or provide suitable replacement alternatives where necessary.

Description	Part Number
TM Control Box Air filter	19936-443F
Joint Module 405, TM HW3.X	19936-166F
Joint Module 103, TM HW3.X	19936-162F
STICK MODULE, HW3.2	19936-478F

COVER, JOINT100, TM5/12/14	19936-456F
COVER, JOINT 100, TM5/12/14/16 - CNC Application	19936-837F
IPC w/ fan, Win 10, i7 Core (older), TM HW3.X	19936-412D
Joint Module 102, TM HW3.X	19936-160F
COVER, JOINT100, SLVR, TM5/12/14	19936-457F
COVER, JOINT 400, TM5/12/14/16 - CNC Application	19936-836F
I/O MODULE HW3.2, TM12/14	19936-246F
Joint Module 700, TMAA HW3.X	19936-168F
COVER, JOINT700, TM12/14	19936-234F
RUBBER, ANTI-DUST RING, JOINT 400 (ESD)	19936-4001F
COVER, JOINT400, SLVR, TM5/12/14	19936-458F
PCBA, SAFETY CONTROL, HW3.2, TM12/14	19936-247F
PCBA, SAFETY CONTROL, HW3.2, TM5	19936-149F
CBL, HSG, HIFLEX, 3M, HW3.2, TM12/14	19936-241F
TM12/14 PSU, Single Main Output, 48V, 85VAC~264VAC, 120-350VDC, 1800W	19936-202D
Accessory, TM, End Module IO Cable M8, 5 Pin, B-Coded	19936-444F
I/O Board, TM	19936-416D
COVER, JOINT 700, TM12/14/16 - CNC Application	19936-835F
TM, SSD 128GB	19936-447D
COVER, JOINT400, TM5/12/14	19936-455F
Power Control Board, TM12,14	19936-224D
CBL, HSG, HIFLEX, 12M, HW3.2, TM12/14	19936-243F
Joint Module 104, TM HW3.X	19936-164F
I/O MODULE, HW3.2, TM12X/14X	19936-702F
Connector Board, TM12/14	19936-225D
CBL, HSG, HIFLEX, 6M, HW3.2, TM12/14	19936-242F
Fan, IPC, TM HW3.X	19936-859F
Housing Cable, 360mm J5, J6, I/O, TM5/TM5M	19936-114F
POWER EATER, W/FAN, HW3.2	19936-477F
TERMINAL BLOCK, 2*10P, HW3.2	19936-483F
Housing Cable, 3mm Micro-fit Connector+USB2.0 type A+, 3150mm, TM12/TM12M/TM14/TM14M	19936-221F
Label, Runtime License of RTX64 3.X	19936-824F
CBL, HSG, HIFLEX, 1.5M, HW3.2, TM12M/14M	19936-244F
Power Control Board, TM5	19936-119D
Connector Board, TM5	19936-120D
PCBA, EX IO BOARD, OUT, HW3.2	19936-476F
Housing Cable, 360mm J5, J6, I/O, TM12/TM12M/TM14/TM14M	19936-217F
RUBBER, RING ARM1, BIG SIDE, TM12/14 (ESD)	19936-256F
Wire Cable 21AWG, 260mm, Red-Black	19936-402F
PCBA, EX IO BOARD, IN, HW3.2	19936-475F
TERMINAL BLOCK, 2*6P, HW3.2	19936-481F
TERMINAL BLOCK, 2*9P, HW3.2	19936-482F
TERMINAL BLOCK, 6P, HW3.0/3.1	19936-496F
I/O Module w/ Camera HW3.0, TM5A/TMAA, ESD	19936-226F
CBL, HSG, HIFLEX, 12M, HW3.2, TM5	19936-140F
I/O Module w/ Camera HW3.1, TM5A/TMAA, ESD	19936-156F
Power Eater w/ fan HW3.0/3.1	19936-417D
Housing Cable, DF60-3S-10.16C, 3P, Red-black, 10AWG*2C, 1200mm	19936-425D
LIGHT MODULE, HW3.2	19936-471F
CBL, HSG, HIFLEX, 3M, HW3.2, TM5	19936-138F
CBL, IO 8PIN, INTERNAL, 155MM	19936-4002F
Wire Cable, 22AWG, 300mm, Red-Black	19936-403F
Power Relay Board, Mobile	19936-413D
TM Hand Eye Calibration Plate	19936-448F
TERMINAL BLOCK, 2*2P, HW3.2	19936-479F
Housing Cable, 3mm Micro-fit Connector+USB2.0 type A+, 3150mm, TM5/TM5M	19936-118F

PCBA, RELAY BOARD, HW3.2, TM5M/12M/14M	19936-248F
CBL, LAN, J3, J4/J2, J3, 740MM, HW3.2	19936-474F
TERMINAL BLOCK, 2*3P, HW3.2	19936-480F
CBL, HSG, COMPLEX, 600MM, HW3.2	19936-488F
Housing Cable, 700mm J4	19936-113F
Housing Cable, 770mm TM5-900	19936-128F
Housing Cable, 440mm J1, TM5/TM5M	19936-110F
CBL, LAN, J2, J3, 530MM, HW3.2, TM5	19936-144F
CBL, LAN, J1, J2, 370MM, HW3.2, TM5	19936-145F
Housing Cable, 970mm J4	19936-216F
Screw, M3L6 SHCS, SCM435	19936-404F
Housing Cable, RJ-45, CAT6 26AWG, 200mm	19936-419D
COVER,CONTROL BOX, BACK	19936-470F
TERMINAL BLOCK, 7P, HW3.0/3.1	19936-497F
Housing Cable, 420mm J2	19936-111F
Wire, Cable, 21AWG, 700mm, Red-Black	19936-126F
Housing Cable, B46:H47USIN=2, 600mm	19936-127F
CBL, HSG, HIFLEX, 6M, HW3.2, TM5	19936-139F
CBL, LAN, BASE, J1, 380MM, HW3.2, TM5	19936-146F
Joint Module 111, TM20 HW3.2	19936-161F
Joint Module 112, TM20 HW3.2	19936-163F
Joint Module 406, TM20 HW3.2	19936-167F
Joint Module 706, TM20 HW3.2	19936-169F
Joint Module 112 FGG, TM HW3.X	19936-171F
CONTROL BOX, HW3.2, TM12/14	19936-245F
CBL, LAN, BASE, J1, 430MM, HW3.2, TM12/14	19936-249F
CBL, LAN, J1, J2, 400MM, HW3.2, TM12/14	19936-250F
CBL, LAN, J3, J4, 860MM, HW3.2, TM12/14	19936-254F
Coupler board, TM	19936-414D
EX I/O Board	19936-415D
Housing Cable, DF22L-1S-7.92C, 10AWG, Red, 150mm	19936-435D
CBL,USB MINI TO TYP A,100MM	19936-464F
CBL,USB TYP A TO TYP A,260MM	19936-465F
COVER,CONTROL BOX, FRONT	19936-469F
TERMINAL BLOCK, 17P, HW3.0/3.1	19936-498F
HW3.0 TO HW3.2 KIT, TM5	19936-801F
CARTON, TM12	19936-814F
CARTON, CE CONTROLLER BOX	19936-818F
PCB ASSY, I/O BOARD, HW3.2	19936-833F
"IO MODULE WITH CAM FOR TM20 SERIES, ESD DISSIPATIVE, HW3.2 (ROHS)	19936-842F
"IO MODULE W/O CAM FOR TM20 SERIES, ESD DISSIPATIVE, HW3.2 (ROHS) "	19936-852F
Wire Cable, 19AWG, 300mm Red	19936-103F
Wire Cable, 19AWG, 300mm Black	19936-104F
Wire Cable, 19AWG, 340mm Red	19936-105F
Wire Cable, 19AWG, 340mm Black	19936-106F
Wire Cable, 19AWG, 420mm Red	19936-107F
Wire Cable, 19AWG, 420mm Black	19936-108F
Wire Cable, 21AWG, 580mm Red-Black	19936-109F
Housing Cable, 530mm J3	19936-112F
Wire Cable, USB2.0 Mini Male to Female, 1300mm	19936-115F
Wire Cable, USB2.0 Mini Male to Female, 750mm	19936-116F
Wire Cable, USB2.0 Mini Male to Male, 750mm	19936-117F
Housing Cable, DF22L-3S-7.92C,2C, Brown/green/yellow-blue, 12AWG, 235mm	19936-122D
Housing Cable, DF22-3S-7.92C,3P, Brown-green/yellow-blue, 14AWG*3C, 250mm	19936-123D
Wire Cable, 1+B36:H38, 530mm, Red	19936-124F
Wire, Cable, 19AWG, 530mm, Black	19936-125F
CONTROL BOX, HW3.0, TM5	19936-130F

CONTROL BOX, HW3.1, TM5	19936-131F
O-RING,O/R89X1	19936-136F
CBL, HSG, HIFLEX, 1.5M, HW3.2, TM5M	19936-141F
CONTROL BOX, HW3.2, TM5	19936-142F
CBL, PWR, RD, BASE, J1, 300MM, HW3.2, TM5	19936-147F
CBL, PWR, BK, BASE, J1, 300MM, HW3.2, TM5	19936-148F
CBL, HSG, PSU, CNCTR BRD, 250MM, HW3.2	19936-150F
SCR, M3L8 SCKT HD CP, MAT: SCM435	19936-151F
Joint Module 115, TM20 HW3.2	19936-165F
Joint Module 111 FGG, TM HW3.X	19936-170F
Joint Module 113 FGG, TM HW3.X	19936-172F
Joint Module 405 FGG, TM HW3.X	19936-173F
Joint Module 703 FGG, TM HW3.X	19936-174F
Wire Cable, 19AWG 330mm, Red	19936-206F
Wire Cable, 19AWG 330mm, Black	19936-207F
Wire Cable, 19AWG 400mm, Red	19936-208F
Wire Cable, 19AWG 400mm, Black	19936-209F
Wire Cable, 19AWG 730mm, Red	19936-210F
Wire Cable, 19AWG 730mm Black	19936-211F
Wire Cable, 19AWG 900mm, Red-black	19936-212F
Housing Cable, 440mm J1,TM12/TM12M/TM14/ TM14M	19936-213F
Housing Cable, 440mm J2	19936-214F
Housing Cable, 800mm J3	19936-215F
Wire Cable, USB2.0 Mini Male to Female, 1400mm	19936-218F
Wire Cable, USB2.0 Mini Male to Female, 850mm	19936-219F
Wire Cable, USB2.0 Mini Male to Female 90°, 750mm	19936-220F
Housing Cable, DF22-3S-7.92C,3P, Brown-green/yellow-blue, 14AWG*3C, 450mm	19936-227D
Wire Cable, 14AWG, Green/yellow, 300mm	19936-228D
Wire Cable, 14AWG, Green/yellow, 110mm	19936-229D
CONTROL BOX, HW3.0, TM12/TM14	19936-232F
CONTROL BOX, HW3.1, TM12/TM14	19936-233F
CBL, PWR, RD, BASE, J1, 330MM, HW3.2, TM12/14	19936-251F
CBL, PWR, BK, BASE, J1, 330MM, HW3.2, TM12/14	19936-252F
SCR, M4L6, SCKT HD CP, MAT: SUS 3XX	19936-253F
Cable, EX IO, 40pin, TM3.X	19936-265F
Cable, EX IO, 44 pin, TM3.X	19936-266F
CBL, IO 5PIN, INTERNAL, 130MM	19936-4003F
IPC w/ fan, Win 10, i5 Core (Newer), TM HW3.X	19936-4004F
Screw, M3L5 PHCS SCM435 Nylok	19936-409F
Screw, M3L10 SHCS, SCM435 Nylok	19936-410F
Screw, M3L6 SHCS, SCM435 Nylok	19936-411F
Housing Cable, FC-60H(3)*2H, 300mm	19936-418D
Housing Cable, DF1E-2EP-2.5C, CP=H20-02, Red-Black, 24AWG	19936-420D
Housing Cable, DF11-10DS-2C, 10P, CP-H20-02,2P Red-Black, 24AWG	19936-421D
Housing Cable, 8P, 28AWG*8C, 300mm	19936-422D
Housing Cable, 3, 8/P/4P, CR-H423M-2x04, CR-H423M, Red-black-18AWG*4AC, 170mm, 300M	19936-423D
Housing Cable, DF60-3EP-10.16C, DF22L-2S-7.92C, Red-black, 10AWG*2C, 210mm	19936-426D
Housing Cable, DF63-2S-3.96C, 2P, SVL2-3.7*2, Red-black, 16AWG*2C, 270mm	19936-427D
Housing Cable, TMAA, TE_H6B-AG+4RJ45X530MM+TEMINTALX440MMX4+PEX100MM+USBX260MM	19936-428D
Housing Cable, 11P-11P, 26AWG, 180mm	19936-429D
Housing Cable, 9P, 24AWG*9C, 300mm	19936-430D
Housing Cable, CR-H423M-2X03, 6P, 18AWG*4C, Red/black, 280mm	19936-431D
Housing Cable, DF22-2S-7.92C, 2P, Red-black, 12AWG*2C, L=270mm	19936-432D
Housing Cable, DF22-3EP-7.92C, DF22-1S-7.92C, FDFV2-250, Red/black, 14AWG, 350mm,270mm	19936-433D
Housing Cable, DF22-1S-7.92C, 14AWG, Red, 170mm	19936-434D
Housing Cable, 2510-02,2P, 26AWG*2C, Yellow-black, 340mm	19936-436D

Wire cable, 14AWG*2C, Red-Black, 460mm, Green/yellow 18AWG, 220mm	19936-437D
Wire Cable, 14AWG*2C, Red-black, 200mm	19936-438D
Wire Cable, 14AWG, Green/yellow, 80mm	19936-439D
Housing Cable, DF63-3S-3.96C,3P, Brown-green/yellow-blue, 16AWG*3C, 420mm	19936-440D
Housing Cable, CR-H423M-2X03,6P, 18AWG*6C, Red/black, 280mm	19936-441D
Wire Cable, 14AWG, Green/yellow, 14AWG	19936-442D
CONTROL BOX, HW3.0, MOBILE	19936-449F
CONTROL BOX, HW3.1, MOBILE	19936-450F
PCB,USB EXTENDER HOST BOARD	19936-466F
CASE, EXTERNAL SSD, HW3.1	19936-468F
CONTROL BOX, HW3.2, MOBILE	19936-472F
CBL, HSG, CMLPX EXT, USB TO GPIN, 300MM, HW3.2	19936-473F
CBL, HSG, IPC, VGA, 170MM, HW3.2	19936-484F
CBL, LAN, PWR BRD, BX, 300MM, HW3.2	19936-485F
CBL, HSG, EX IO, PWR BRD, 260MM, HW3.2	19936-486F
CBL, HSG, PWR BRD, RLY BRD, 400MM, HW3.2, MOBILE	19936-487F
CBL, RIBBON, IO, HW3.2	19936-489F
SCR, #6-32 L5, UNC FLT PAN HD, MAT: AISI1018	19936-490F
SCR, #6-32 L5, UNC FLT HD, MAT: AISI1018	19936-491F
SCR, M4L8 TORX SCKT HD CAP, MAT: SCM435	19936-492F
TERMINAL BLOCK, 2P, HW3.0/3.1	19936-494F
TERMINAL BLOCK, 4P, HW3.0/3.1	19936-495F
Housing Cable, 4P, 24AWG*4C, 240mm	19936-501D
Housing Cable, DF22L-1S-7.92C, 10AWG, 270mm, Red	19936-502D
Wire Cable, 10AWG, 130mm, Red	19936-503D
CONTROL BOX, HW3.2, SEMI	19936-505F
I/O MODULE, TM5X/TM5MX	19936-710F
I/O MODULE, TM12X/TM14X/TM12X/TM14MX	19936-720F
HW3.0 TO HW3.2 KIT, TM5M	19936-802F
HW3.0 TO HW3.2 KIT, TM5M SEMI	19936-803F
HW3.0 TO HW3.2 KIT, TM12/14	19936-804F
HW3.0 TO HW3.2 KIT, TM12/14M	19936-805F
HW3.0 TO HW3.2 KIT, TM12/14M SEMI	19936-806F
HW3.1 TO HW3.2 KIT, TM5	19936-807F
HW3.1 TO HW3.2 KIT, TM5M	19936-808F
HW3.1 TO HW3.2 KIT, TM5M SEMI	19936-809F
HW3.1 TO HW3.2 KIT, TM12/14	19936-810F
HW3.1 TO HW3.2 KIT, TM12/14M	19936-811F
HW3.1 TO HW3.2 KIT, TM12/14M SEMI	19936-812F
CARTON, TM14	19936-815F
CARTON, TM5A-900	19936-816F
CARTON, TM5A-700	19936-817F
Cover, Joint 700,TM12/14	19936-825F
Cover, Joint 400,TM5/12/14	19936-826F
Cover, Joint 100,TM5/12/14	19936-827F
CBL, YELLOW-WHITE, L=430MM, 26AWG, HW3.1-HW3.2	19936-834F
SCREW, M5L16 SOCKET HEAD CAP, MAT'L: SCM435 WITH PRECOTE P80-8,TM5	19936-858F

The following spare parts are used on Hardware 3.2; however, they will not be discontinued as they are also utilized in the TM S Series (HW5.0).

Description	Part Number
TM, End Module IO Cable M8, 8 Pin	19936-445F
RUBBER, ANTI-DUST RING, JOINT 100 (ESD)	19936-499F
Fieldbus IO Device Kit	19936-820F
RUBBER, ANTI-DUST RING, JOINT 700 (ESD)	19936-259F
TM, Calibration Plate	19936-446F

RUBBER, RING ARM1, TM5-900 (ESD)	19936-153F
RUBBER, RING ARM2, TM5-900 (ESD)	19936-152F
RUBBER, RING ARM2, TM12/14 (ESD)	19936-258F
PWRCORD,CONTROLBOX,250V/16A,US	19936-451F
RUBBER, RING ARM1, SMALL SIDE, TM12/14 (ESD)	19936-257F
RUBBER, RING ARM1, TM5-700 (ESD)	19936-154F
RUBBER, RING ARM2, TM5-700 (ESD)	19936-155F
PWRCORD,CONTROLBOX,250V/16A,EU	19936-454F
Handle, Mobile Work Station	19936-800F
O-RING,JOINT100, Silicone	19936-838F
PWRCORD,CONTROLBOX,250V/13A,UK	19936-452F
EMO Switch Module Assy, TMAA (ROHS)	19936-504F
Vision Calibration Kit, TMX	19936-730F
O-RING, JOINT 700, O/R 112X1.5	19936-239F
PWRCORD,CONTROLBOX,250V/16A,CN	19936-453F
O-RING,O/R62X1	19936-463F
Leveling Mount, Mobile Work Station	19936-813F
Terminal Block, Mobile Work Station	19936-822F